



**Notes:**

**21" PA - woofer**

cone: air dried oil coated paper  
dustcap: oil coated paper  
edge: treated roll out cloth  
gasket: foam  
voice coil: BASV  
magnet: ferrit

**Terminals:**

"+" push  
"-" push

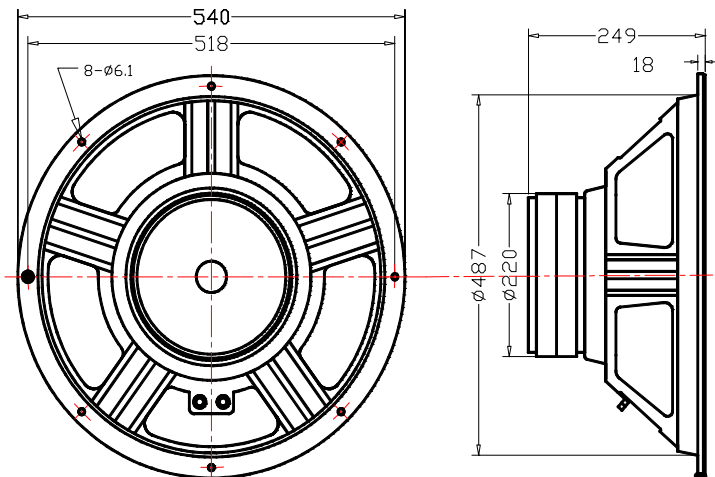
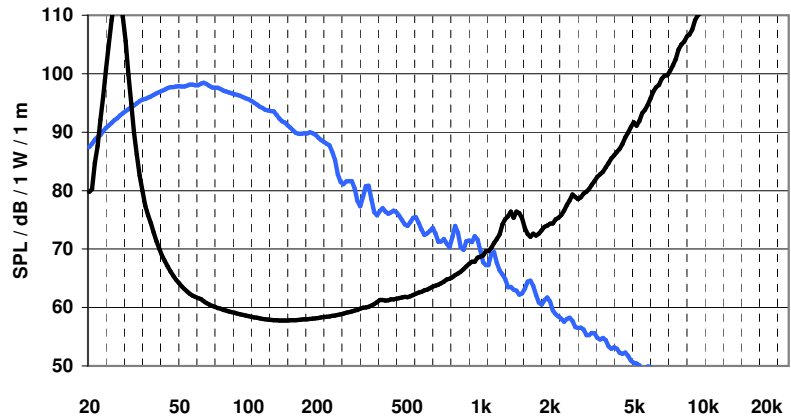
**Technical data ( EN ):**

nom impedance 8  $\Omega$   
nom. power 600 watts  
peak SPL 98 dB  
sensitivity 98 dB  
average SPL 93 dB  
res. frequency 24,3 Hz  
freq. Range ( -10 dB ):  
20 to 215 Hz  
Xmax +/- 8 mm  
total weight 17,5 kg  
magnet weight 200 oz  
voice coil  $\varnothing$  100 mm

**Thiele / Small parameter:**

Re 6,7  $\Omega$   
Qms 11,3  
Qes 0,3  
Qts 0,3  
VAS 547 Liter  
Mms 298 g  
Rms 4,4 kg / s  
Cms 0,14 mm / N  
B \* L 30 Tm  
Sd 1640 cm<sup>2</sup>  
Le 0,01 mH

Frequenzgang / frequency response



**Remarks:**

21" PA Subwoofer with high sensitivity and long excursion  
designed for PA-infra-subwoofers  
special treated voice coil  
low distortion at high levels

Technical data are measured with ATB - equipment according EN - 60268 - 5

For product improvement HKM reserves alterations in specifications and design without further announcement

For tolerances of technical data refer to HKM's manual of technical data

For information contact: tel.: +49 (0) 9073 / 9585 - 0, fax.: +49 (0) 9073 / 9585 - 55, e-mail: info@hkm-group.de

